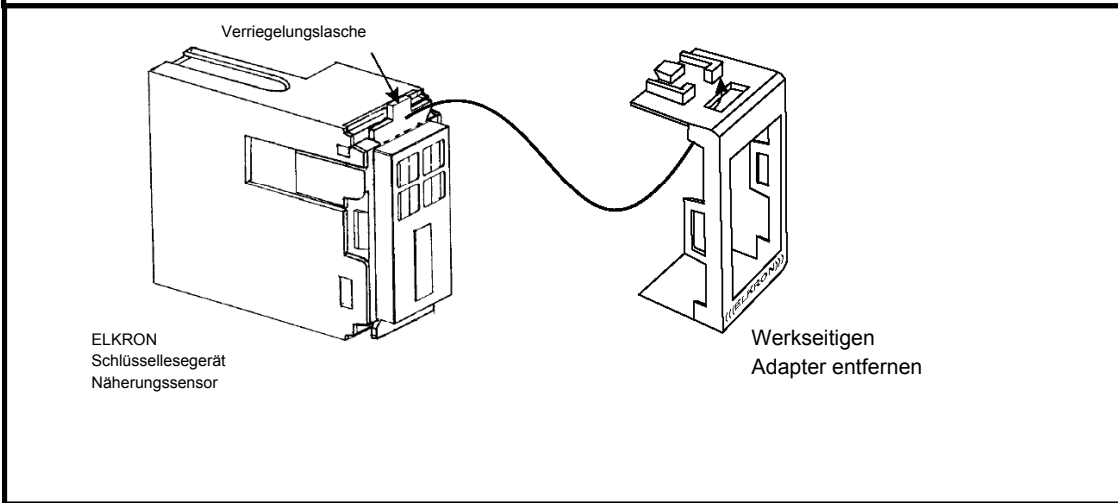
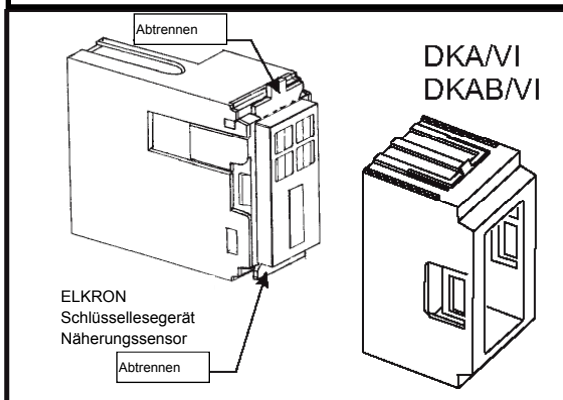


## Montage des Vimar Adapters



## Adapter Vimar IDEA



## Adapter Vimar PLANA

